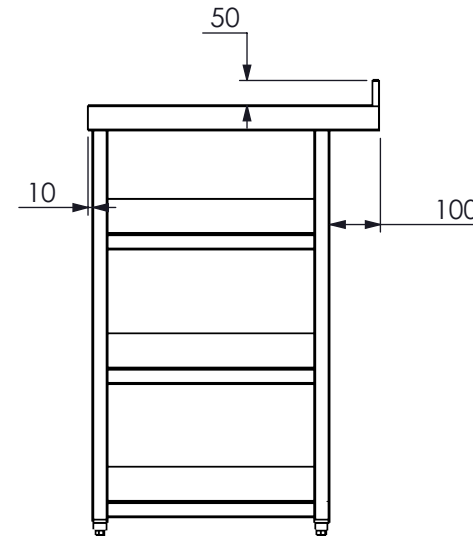
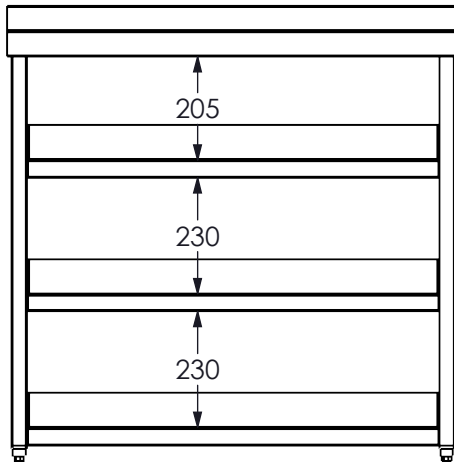
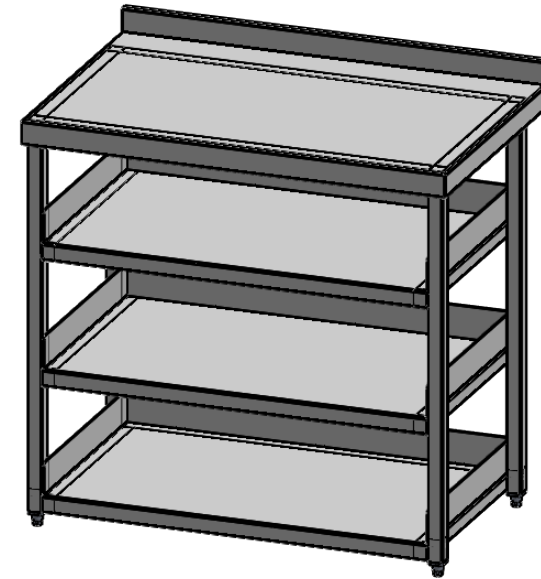
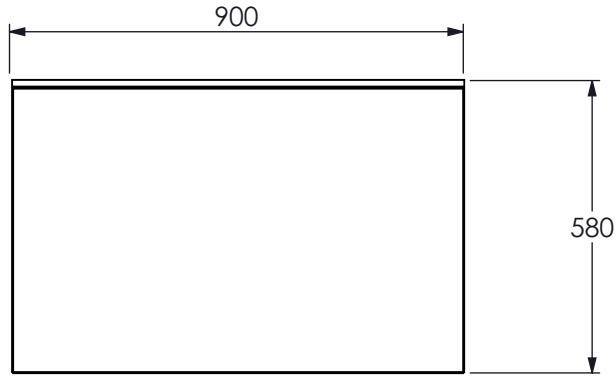


MB-SS9 Assembly



MATERIAL:	Stainless Steel
GRADE:	
THICKNESS:	
FINISH:	240 Grit

Unless otherwise specified dimensions are in millimeters.
 Tolerance: ± 0.5
 Angular: ± 0.5
 PD = Paper Down
 PU = Paper Up
 BD = Burrs Down
 BU = Burrs Up
 No allowance has been made on the drawing for push through values.

Please allow the following for stainless steel bends in a 10mm V:
 Steel Push Through Value
 0.8MM S/S = 0.92MM
 0.9MM S/S = 0.92MM
 1.2MM S/S = 1.27MM
 1.5MM S/S = 1.45MM
 2.0MM S/S = 1.74MM
 For any other materials or V sizes please see the Amada Handbook



PRODUCT:	FB-SS9 Assembly	CONFIG:	N/A
PART NAME:	I:\1 PRODUCT RANGE\FLEXI-BAR\Shelving Station\SS9\		
DWG LOCATION:	I:\1 PRODUCT RANGE\FLEXI-BAR\Shelving Station\SS9\		
COPYRIGHT	© PARRY CATERING EQUIPMENT (MIDLANDS) LTD		

DRAWN:	StefanL
REVISION:	1
CREATION DATE:	15/02/2023
LAST UPDATED:	27/02/2023